

PLUMBING FIXTURE SCHEDULE

FIXTURE NUMBER	DESCRIPTION	PIPE SIZE		
		WASTE	C.W.	H.W.
P-1	WATER CLOSET (ADA); AMERICAN STANDARD NO. 2034.014 ONE PIECE FLOOR MOUNTED TANK TYPE WITH ELONGATED SIPHON ACTION BOWL, WHITE SOLID PLASTIC OPEN FRONT SEAT WITH SELF-SUSTAINING CHECK HINGE, CHINA CAPS, MCGUIRE 2166LK SUPPLY AND STOP.	4"	1/2"	-
P-2	WATER CLOSET; AMERICAN STANDARD NO. 2004.014 ONE PIECE FLOOR MOUNTED TANK TYPE WITH ELONGATED SIPHON ACTION BOWL, WHITE SOLID PLASTIC OPEN FRONT SEAT WITH SELF-SUSTAINING CHECK HINGE, CHINA BOLT CAPS, MCGUIRE 2166LK SUPPLY AND STOP.	4"	1/2"	-
P-3	LAVATORY (ADA); AMERICAN STANDARD NO. 0124.131, WHITE VITREOUS CHINA, WALL MOUNT, 20" X 18", 8" MODIFICATION ANCHOR LUGS, WITH J.R. SMITH FIGURE 8700 CARRIER, NO. 2385.004 SINGLE LEVER MIXING FAUCET, MCGUIRE NO. 155WC OFFSET GRID DRAIN, 17 GAUGE STAINLESS STEEL TRAP, MCGUIRE 2166LK SUPPLIES WITH STOPS, INSULATE THE WATER AND WASTE PIPES BELOW THE LAVATORY WITH TRUEBRO LAV GUARD SERIES MOLDED VINYL COVERING, WHITE FINISH WITH SNAP CLIP REUSABLE FASTENERS.	2"	1/2"	1/2"
P-3A	LAVATORY (ADA); AMERICAN STANDARD NO. 0476.028, WHITE VITREOUS CHINA, COUNTER MOUNTED, 20" X 17", WITH NO. 2385.004 SINGLE LEVER MIXING FAUCET, MCGUIRE NO. 155WC OFFSET GRID DRAIN, 17 GAUGE STAINLESS STEEL TRAP, MCGUIRE 2166LK SUPPLIES WITH STOPS, INSULATE THE WATER AND WASTE PIPES BELOW THE LAVATORY WITH TRUEBRO LAV GUARD SERIES MOLDED VINYL COVERING, WHITE FINISH WITH SNAP CLIP REUSABLE FASTENERS.	2"	1/2"	1/2"
P-4	LAVATORY; AMERICAN STANDARD NO. 0476.028, WHITE VITREOUS CHINA, COUNTER MOUNTED, 20" X 17", WITH NO. 2385.000 SINGLE LEVER MIXING FAUCET WITH POP-UP DRAIN, 17 GAUGE TRAP & MCGUIRE 2166LK SUPPLIES AND STOPS.	2"	1/2"	1/2"
P-5	EXAM SINK; ELKAY MODEL DLR-2222, 18 GAUGE STAINLESS STEEL, COUNTER MOUNTED, 22" X 22" OVERALL DIMENSION WITH 19" X 16" X 10" DEEP COMPARTMENT, LK-188 STAINLESS STEEL STRAINER, LK-232-S-BH-5 GOOSENECK FAUCET WITH WING HANDLES, 17 GAUGE TRAP AND PAIR OF CHROMED SUPPLIES WITH STOPS.	2"	1/2"	1/2"
P-6	SINK (BKRM); ELKAY MODEL LR-2522, 25" X 22" X 8" DEEP, 18 GAUGE STAINLESS STEEL, SELF RIMMING, COUNTER MOUNTED, 3 HOLE DRILL, MODEL LK-2452 MIXING FAUCET WITH SWIVEL AERATOR, MODEL LK-35 STRAINER, 17 GAUGE TRAP, MCGUIRE 2166LK SUPPLIES AND STOPS.	2"	1/2"	1/2"
P-7	MOP SINK; FIAT MODEL TSB-100, 24" X 24" X 12" DEEP PRE-CAST TERRAZZO SINK, WITH STAINLESS STEEL BUMPER GUARDS ALL SIDES, 3" DEEP SEAL TRAP, MODEL 1453-BB STAINLESS STEEL STRAINER, MODEL MSG-2424 STAINLESS STEEL WALL GUARD, SPROKING FAUCET WITH WALL SUPPORT, VACUUM BREAKER, SCREWDRIVER STOPS AND THREADED HOSE OUTLET, INSTALL WITH MODEL 889-CC THREE-MOP HANGER & MODEL 832-AA 30' LONG FLEXIBLE HOSE WITH HOSE MOUNTING BRACKET, SEAL THE SINK TO THE WALL WITH NO. 833-AA SILICONE SEALANT, MOUNT THE MIXING FAUCET 36" ABOVE THE FLOOR.	3"	1/2"	1/2"
P-8	SINK (COFFEE BAR); ELKAY MODEL DLR-2222, 18 GAUGE STAINLESS STEEL, COUNTER MOUNTED, 22" X 22" OVERALL DIMENSION WITH 19" X 16" X 10" DEEP COMPARTMENT, LK-188 STAINLESS STEEL STRAINER, LK-232-S-BH-5 GOOSENECK FAUCET WITH WING HANDLES, 17 GAUGE TRAP AND PAIR OF CHROMED SUPPLIES WITH STOPS.	2"	1/2"	1/2"
P-9	WATER HEATER; RHEEM MODEL ELOS30, 30 GALLON WITH 2- 4500 WATT ELEMENTS, 208/3/60, FOAM INSULATED, GLASS LINED, OPERATING AND SAFETY CONTROLS, VACUUM BREAKER AND ASME T&P RELIEF VALVE, INSTALL ON MOUNTING FRAME AS INDICATED ON THE DRAWINGS, INSTALL EXPANSION TANK FLEXCON INDUSTRIES, PH-5.	-	1 1/4"	1 1/4"
P-10	WATER HEATER; ECOSMART MODEL POU 3.5, ELECTRIC INSTANTANEOUS, REPLACEABLE ELEMENT CARTRIDGE, INLET FILTER ON SUPPLY INLET, FITTED WITH COMPRESSION NUTS AND SLEEVES, INPUT 3.5KW, 120V/1/60	-	1/2"	1/2"
P-11	FLOOR DRAIN; SMITH NO. 2005Y04-A075B-P, 4" DRAIN WITH 7" DIAMETER SATIN BRONZE STRAINER, 1/2" PRIMER TAP AND DEEP SEAL TRAP.	4"	-	-
P-12	TRAP PRIMER; PRECISION PLUMBING PRODUCTS MODEL ULP-500LP, INSTALL PER DETAILS ON THE DRAWINGS AND MANUFACTURERS SPECIFICATIONS.	-	1/2"	-
P-13	ELEVATOR SUMP DISCHARGE FILTRATION SYSTEM; PARK USA MODEL ES100 ELEVATOR SUMP PUMP DISCHARGE FILTER FOR 50 GPM FLOW RATE, ABOVE GROUND INSTALLATION W/ PUMP CONTROL/ALARM PANEL-NEMA 4X (FRP) ENCLOSURE 1PH/60HZ/115V, PARKUSA MODEL ELY-050 DISCHARGE PUMP WITH 1/2 HP, 120V/1/60 STANDARD SUBMERSIBLE PUMP, ELEVATOR DISCHARGE PUMP CONTROL SENSOR W/MOUNTING BRACKETS/CLAMPS, INSTALL PER MANUFACTURERS SPECIFICATIONS AND DETAIL, INDIRECT DRAIN TO TRENCH DRAIN, SUBS ACCEPTED.	2"	-	-
P-14	ELECTRIC WATER COOLER (ADA); OASIS MODEL PG8AC, WALL MOUNTED, 120 VOLT, 8 GALLONS PER HOUR COLD WATER, WITH SMITH FIG. 0831 FIXTURE SUPPORT, 17 GAUGE TRAP AND MCGUIRE NO. 2166LK SUPPLY WITH STOP, FINISH SHALL BE AS SELECTED BY THE ARCHITECT, ANCHOR THE COOLER FIRMLY AT THE TOP AND BOTTOM.	2"	1/2"	-
P-15	FLOOR CLEANOUT; SMITH NO. 4031L04-F-C-PB, 4" ADJUSTABLE FLOOR CLEANOUT WITH SATIN FINISH BRONZE TOP IN CAST IRON FERRULE.	4"	-	-
P-16	EXTERIOR CLEANOUT; SOLID BRASS CLEANOUT PLUG WITH RECESSED WRENCH SLOT MOUNTED IN A CAST IRON HUB, INSTALL FLUSH WITH GRADE IN A FORMED CONCRETE PAD PER DETAILS ON THE DRAWINGS.	4"	-	-

PLUMBING NOTES:

NEW 1" WATER METER TO BE SIZED FOR 50 GPM, COORDINATE INSTALLATION OF THE WATER METER WITH THE LOCAL UTILITIES, COORDINATE INSTALLATION OF FRY & BACKFLOW PREVENTER IF REQUIRED WITH THE LOCAL UTILITIES, SEE CIVIL DRAWINGS FOR EXACT LOCATION.

ALL PLUMBING VENTS TO BE INSTALLED WITH A MINIMUM OF 10'-0" CLEARANCE FROM ALL OUTSIDE AIR INTAKE SYSTEMS ON THE MECHANICAL EQUIPMENT.

ALL WATER PIPES AT EXTERIOR WALLS SHALL BE INSTALLED ON THE BUILDING SIDE OF THE INSULATION, FURTHER, ALL WATER PIPES SHALL BE INSULATED WITH 1" THICK FIBERGLASS INSULATION WITH VAPOR BARRIER JACKET.

UNDERGROUND WATER MAIN TO BE SCHEDULE 40 PVC PIPE WITH GLOUED JOINTS, INSTALL THE PIPING WITH DETECTOR TAPE PER DETAILS ON THE DRAWINGS.

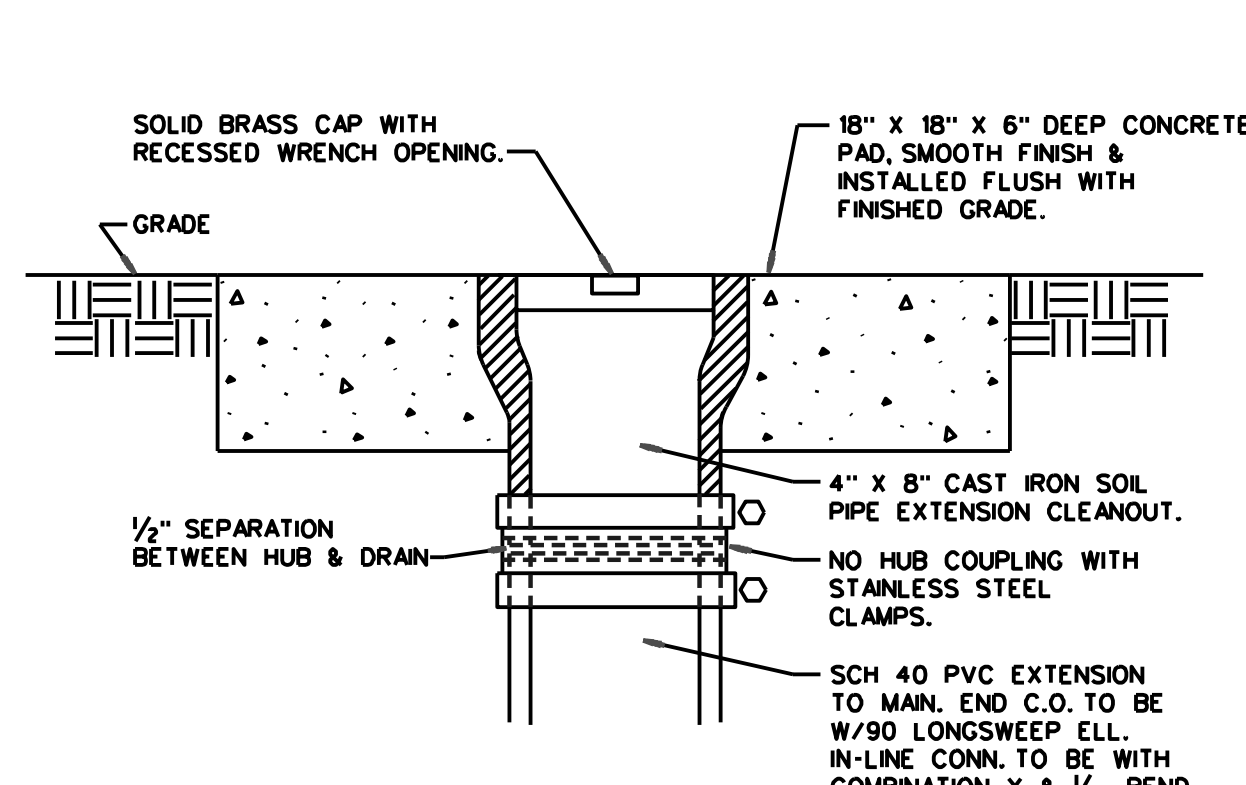
ADD TO THE DOMESTIC WATER MAIN 50 PPM (PARTS PER MILLION) AVAILABLE CHLORINE, ALLOW THE SOLUTION TO STAND FOR SIX HOURS, THEN FLUSH THOROUGHLY, THE PROCEDURE WILL BE OBSERVED BY THE LOCAL PLUMBING OFFICIAL, COORDINATE SAMPLING OF THE CLEAN WATER WITH THE LOCAL HEALTH DEPARTMENT.

EQUAL FIXTURES CAN BE SUBMITTED IN PLACE OF SPECIFIED FIXTURES.

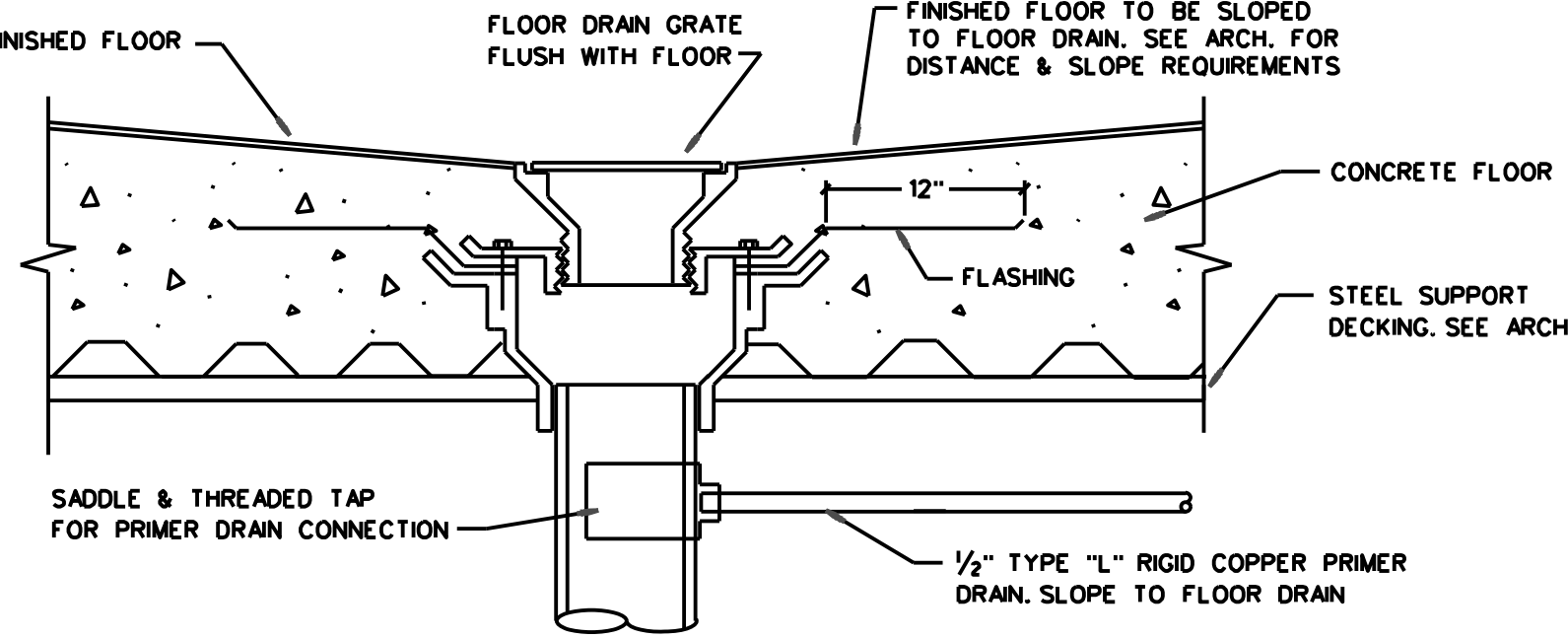
PEX PLUMBING PIPE CAN BE INSTALLED IN PLACE OF COPPER PIPING.

ROUTE WATER HEATER PAN & RELIEF DRAINS TO EXTERIOR WALL, SPILL ON GRADE.

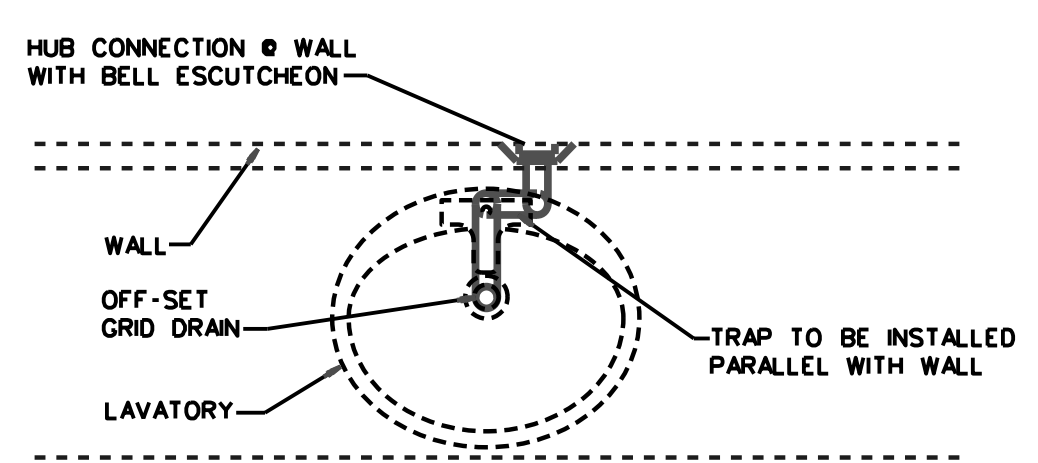
FIRST 8" OF COLD WATER INLET AND HOT WATER OUTLET PIPING FROM WATER HEATER TO BE INSULATED.



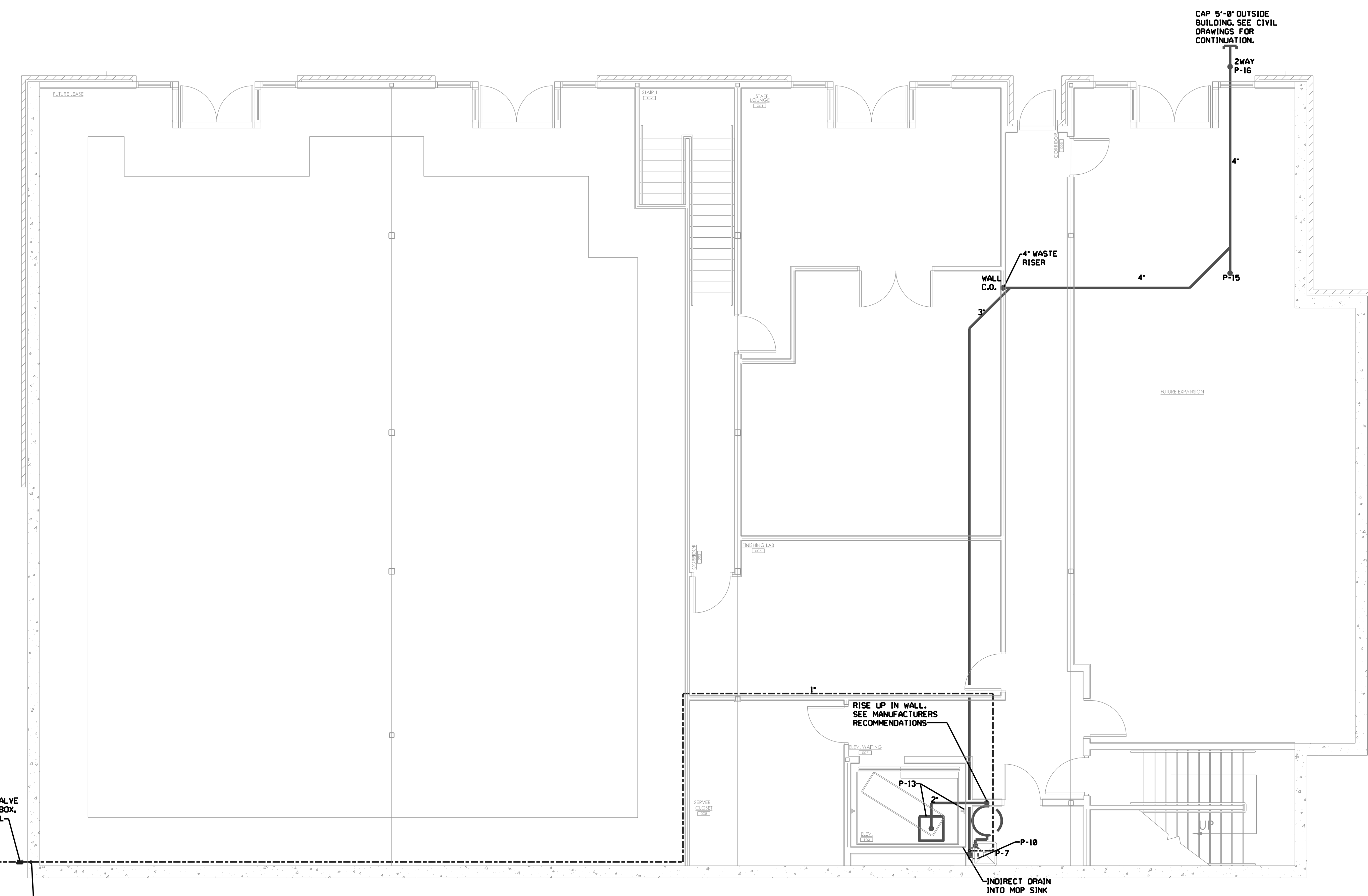
EXTERIOR CLEANOUT DETAIL
NOT TO SCALE



TYPICAL FLOOR DRAIN DETAIL @ CONC. FLOOR W/ STEEL SUPPORT
NOT TO SCALE



HANDICAPPED LAV. WASTE CONNECTION DETAIL
NOT TO SCALE



SERVICE VALVE IN VALVE BOX, SEE DETAIL.

CAP 5'-0" OUTSIDE BUILDING, SEE CIVIL DRAWINGS FOR CONTINUATION.

RISE TO ABOVE LOWER LEVEL CEILING, RISE 1/4" TO ABOVE UPPER LEVEL CEILING, SEE P2 FOR CONTINUATION.



FLOOR 1
PLUMBING FLOOR PLAN
SCALE: 3/16" = 1'-0"

TOTAL DESIGN ENGINEERING
1014 MERIDIAN STREET, SUITE B
HUNTSVILLE, ALABAMA 35801
PHONE: 256-539-8585, FAX: 256-539-8508
JOB: TSK-17-194

PROJECT NAME
BOOZER EYECARE ASSOCIATES
1ST AVE S.E.
CULLMAN, ALABAMA
35055

PROJECT NUMBER
201740

Leonard Design PC
101 First Avenue NE, Suite 140
Cullman, Alabama 35055
Telephone 256.739.8020
Facsimile 256.739.8029

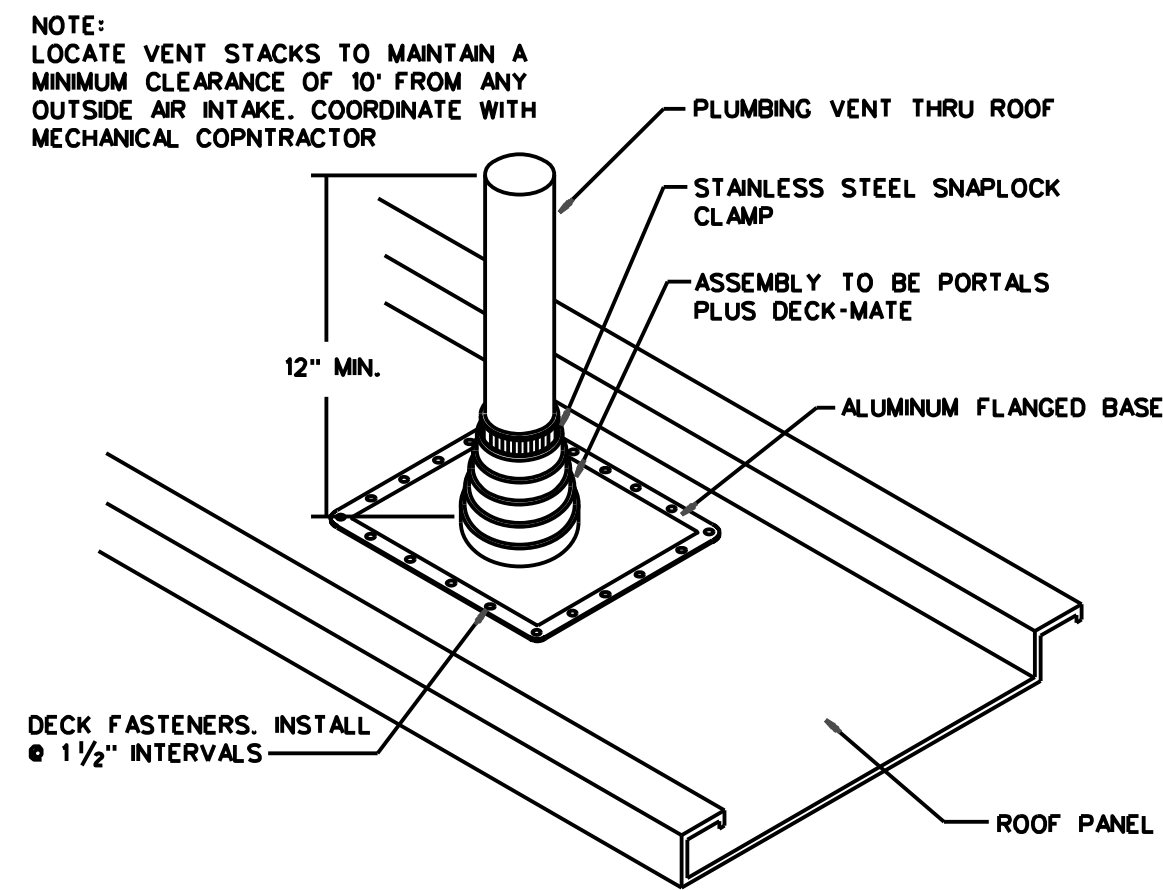
DATE	DESCRIPTION
01.25.18	RELEASE FOR JAQ PRICING (OWNER)

SEAL/SIGNATURE

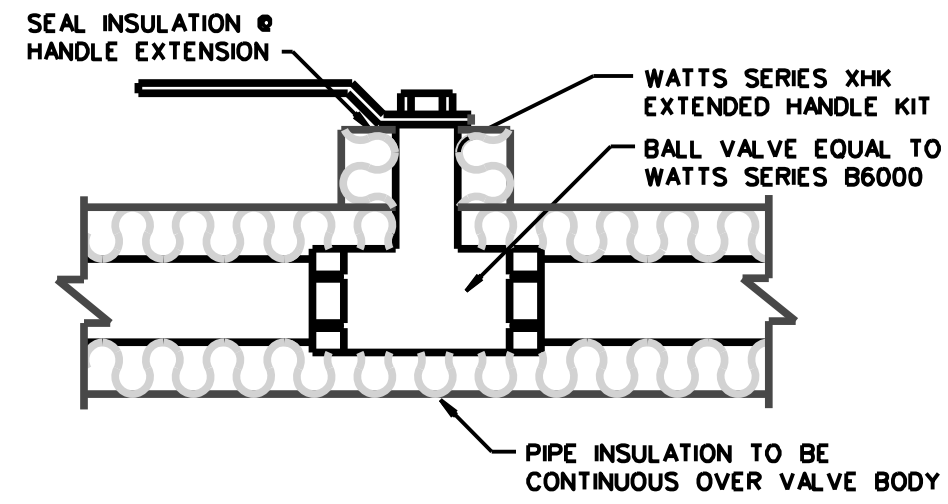


DESCRIPTION
PLUMBING FLOOR PLAN
SHEET

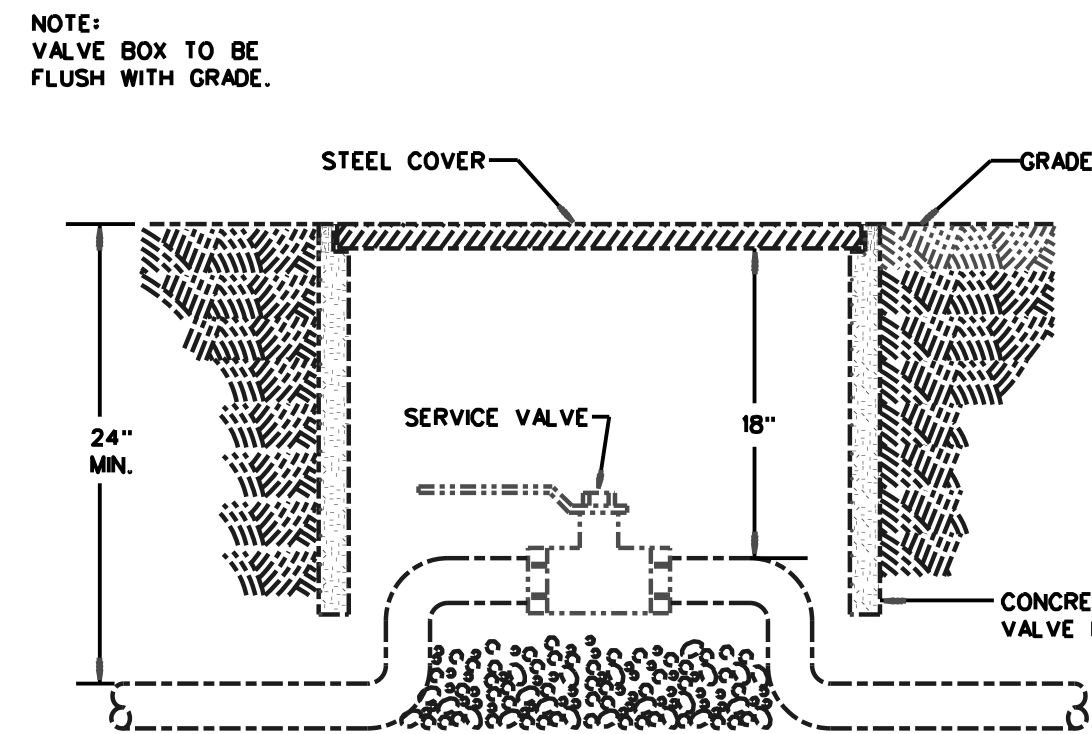
P1



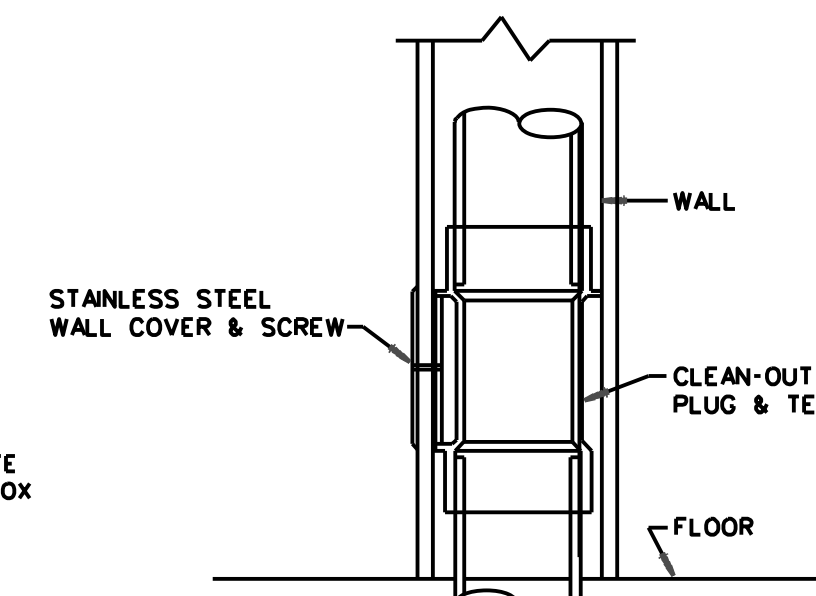
PIPE FLASHING DETAIL
NOT TO SCALE



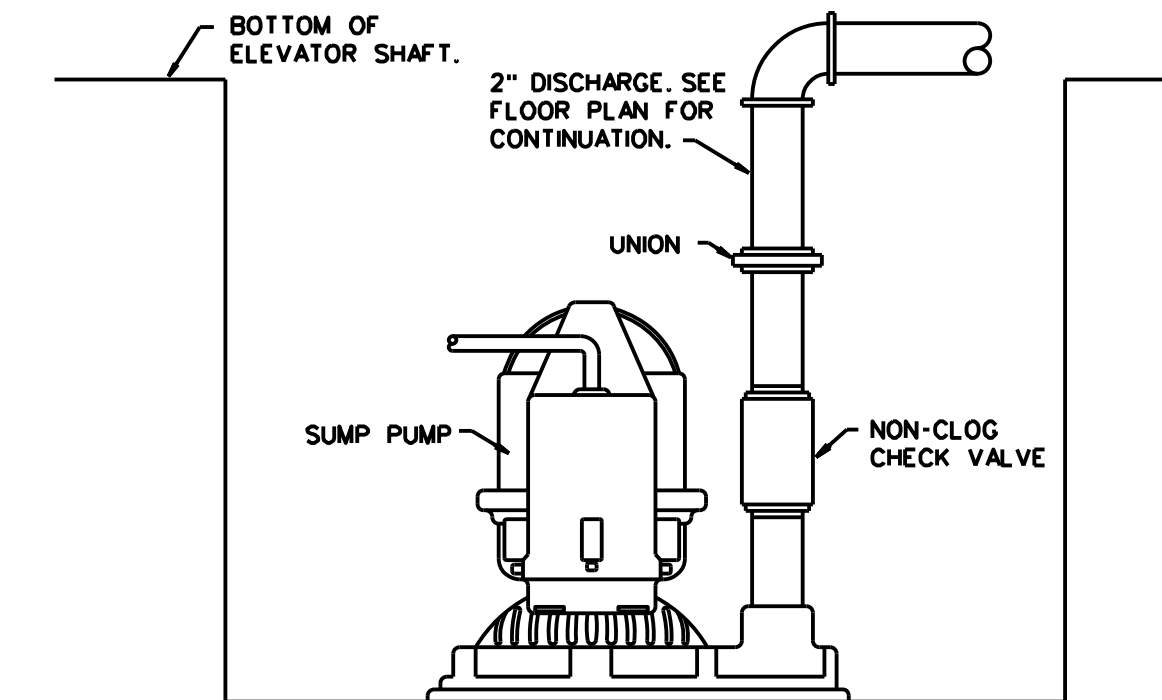
HOT & COLD WATER PIPING
SERVICE VALVE INSTALLATION DETAIL
NOT TO SCALE



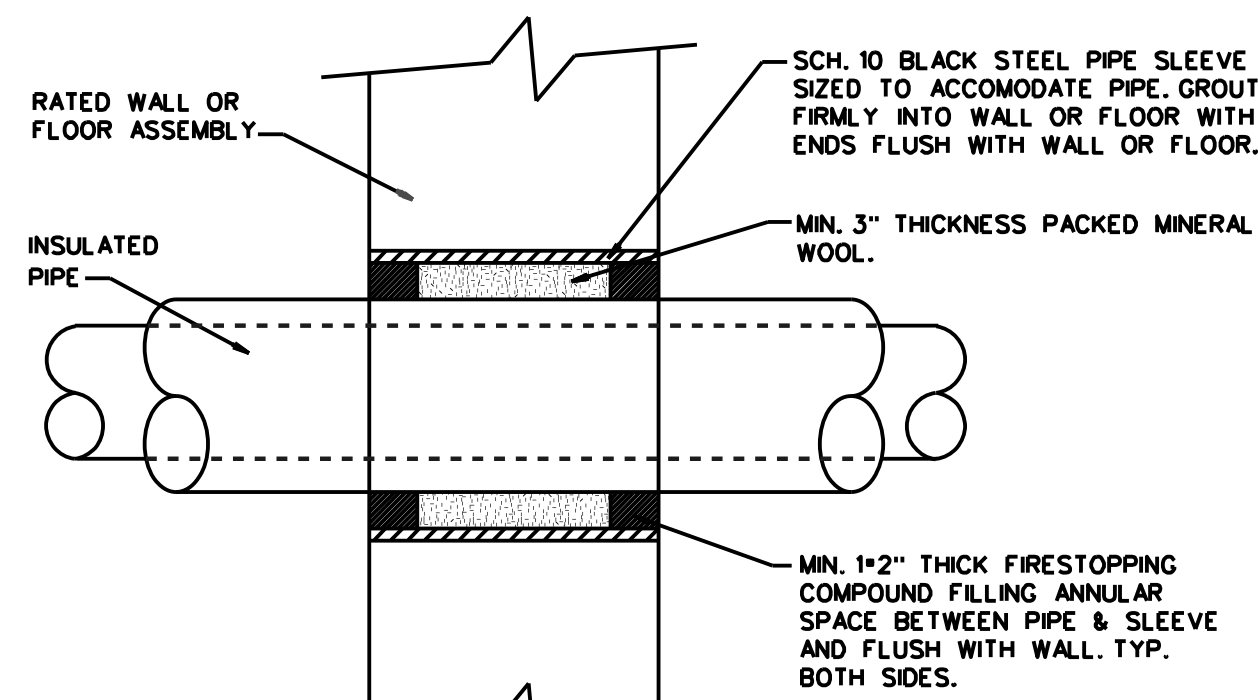
SERVICE VALVE IN VALVE BOX
NOT TO SCALE



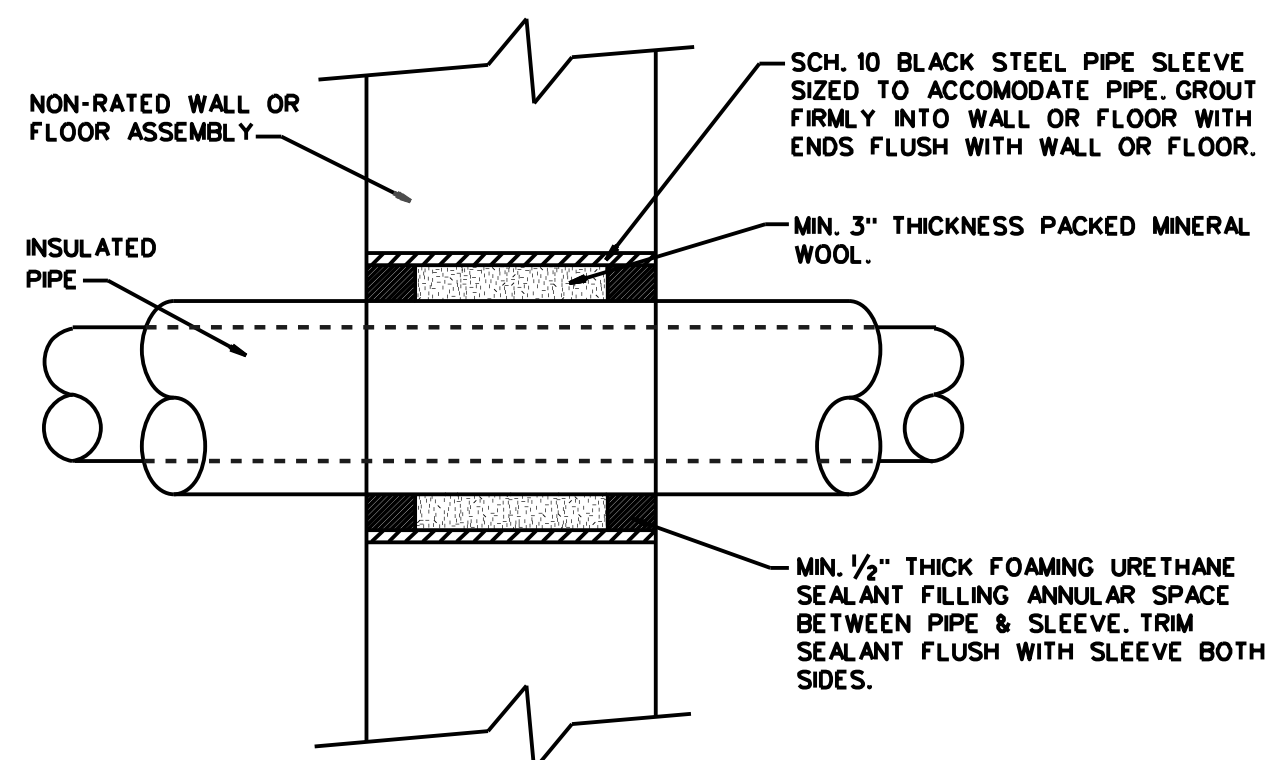
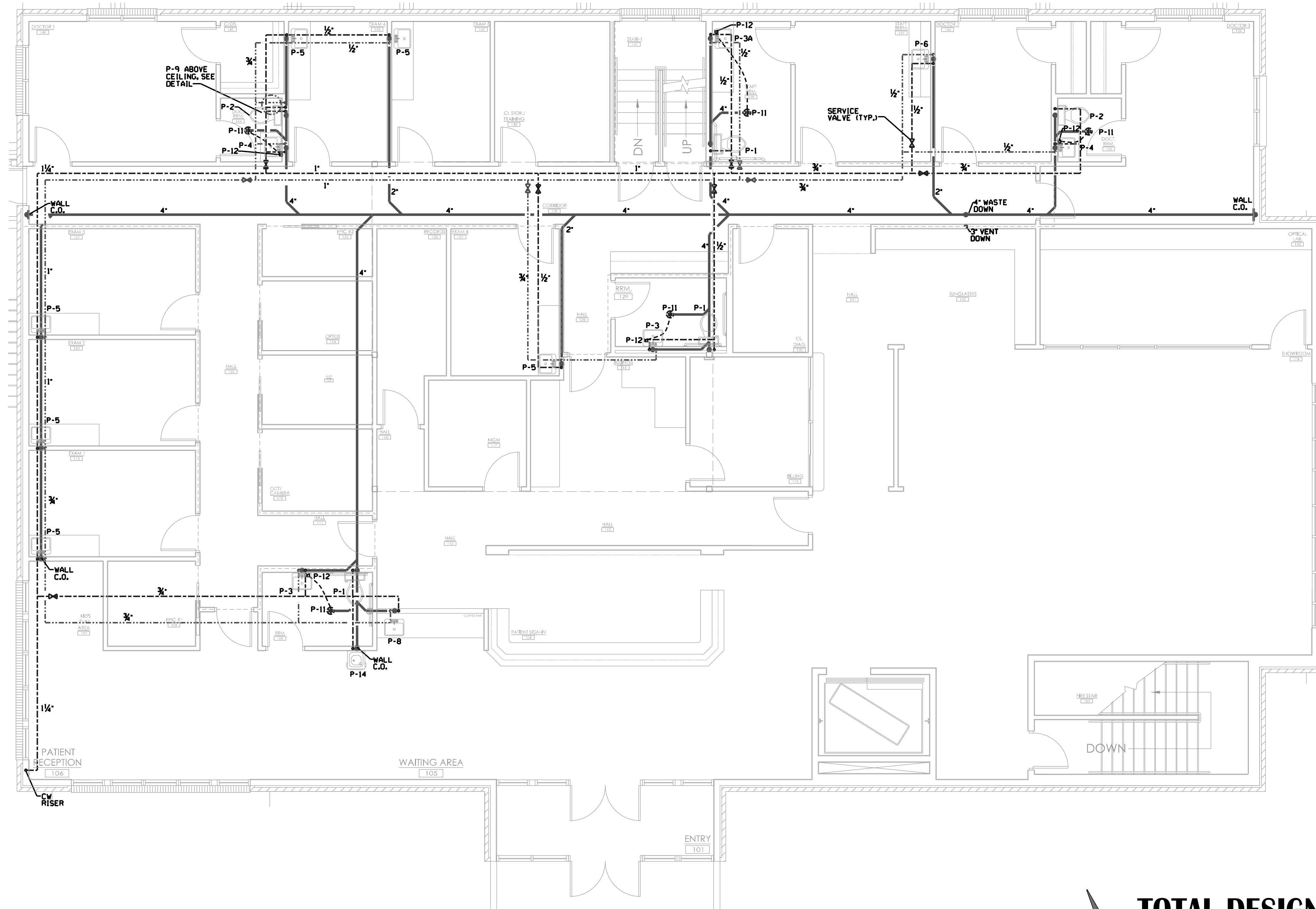
WALL CLEANOUT DETAIL
NOT TO SCALE



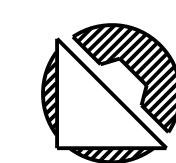
ELEVATOR SUMP PUMP DETAIL
NOT TO SCALE



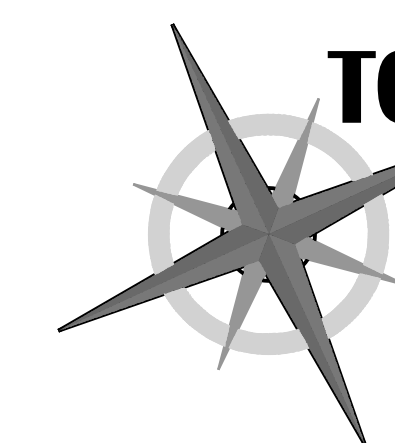
U.L. LISTING C-AJ-1009
RATED PIPE SLEEVE DETAIL
NOT TO SCALE



NON-RATED PIPE SLEEVE DETAIL
NOT TO SCALE



FLOOR 2
PLUMBING FLOOR PLAN
SCALE: 3/16" = 1'-0"



TOTAL DESIGN ENGINEERING
1014 MERIDIAN STREET, SUITE B
HUNTSVILLE, ALABAMA 35801
PHONE: 256-539-8585, FAX: 256-539-8508
JOB: TSK-17-194

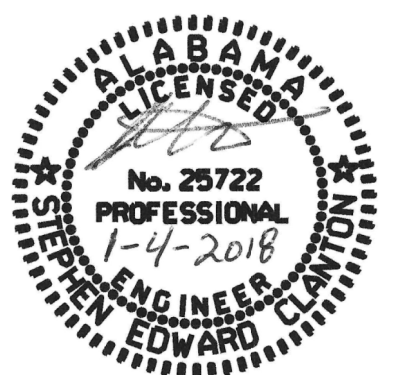
PROJECT NAME
BOOZER EYECARE ASSOCIATES
1ST AVE S.E.
CULLMAN, ALABAMA 35055

PROJECT NUMBER
201740

Leonard Design PC
101 First Avenue NE, Suite 140
Cullman, Alabama 35055
Telephone 256.739.8020
Facsimile 256.739.8029

DATE	DESCRIPTION
01.25.18	RELEASE FOR PRICING (OWNER)

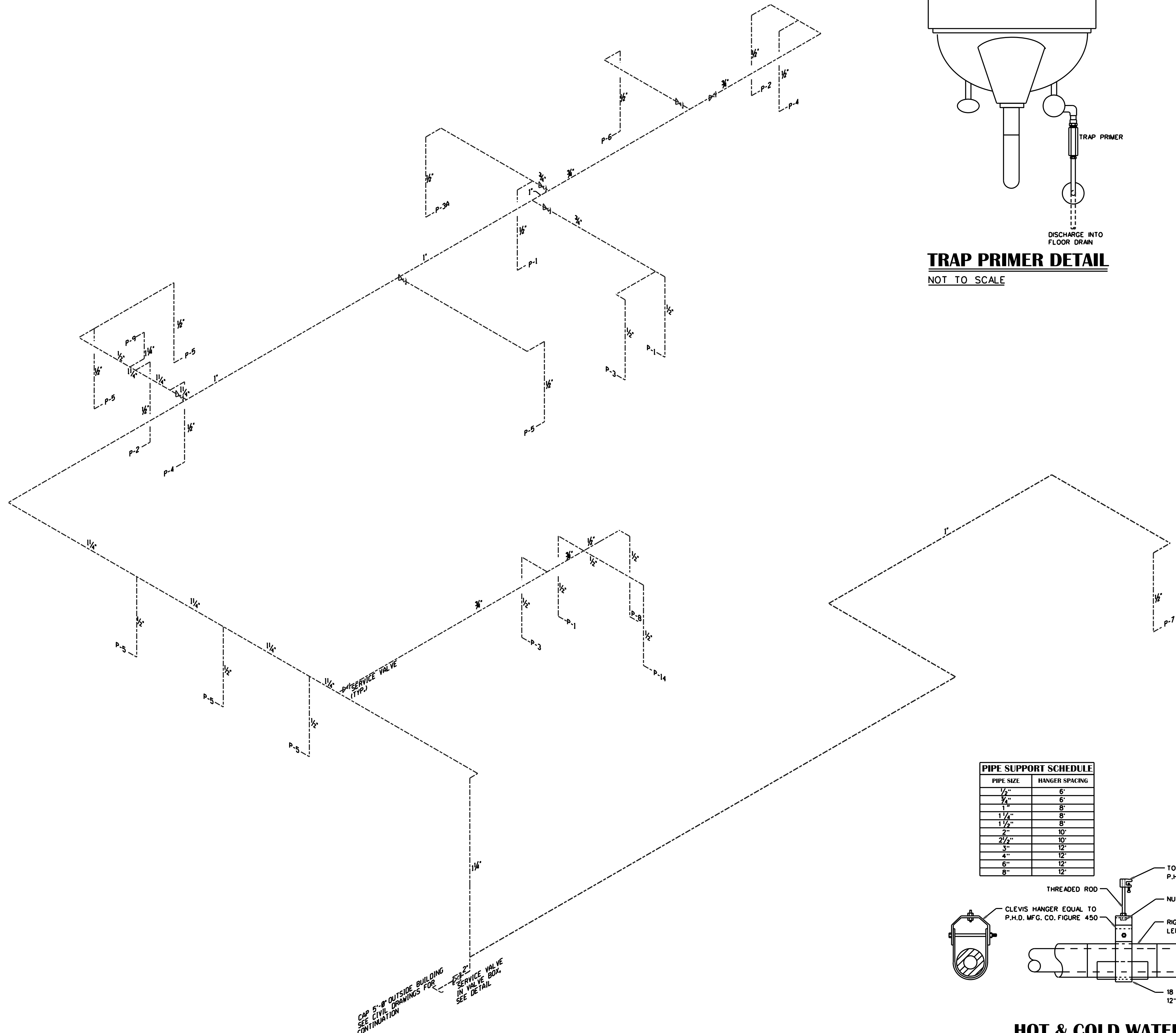
SEAL/SIGNATURE



DESCRIPTION
PLUMBING FLOOR PLAN
SHEET

P2

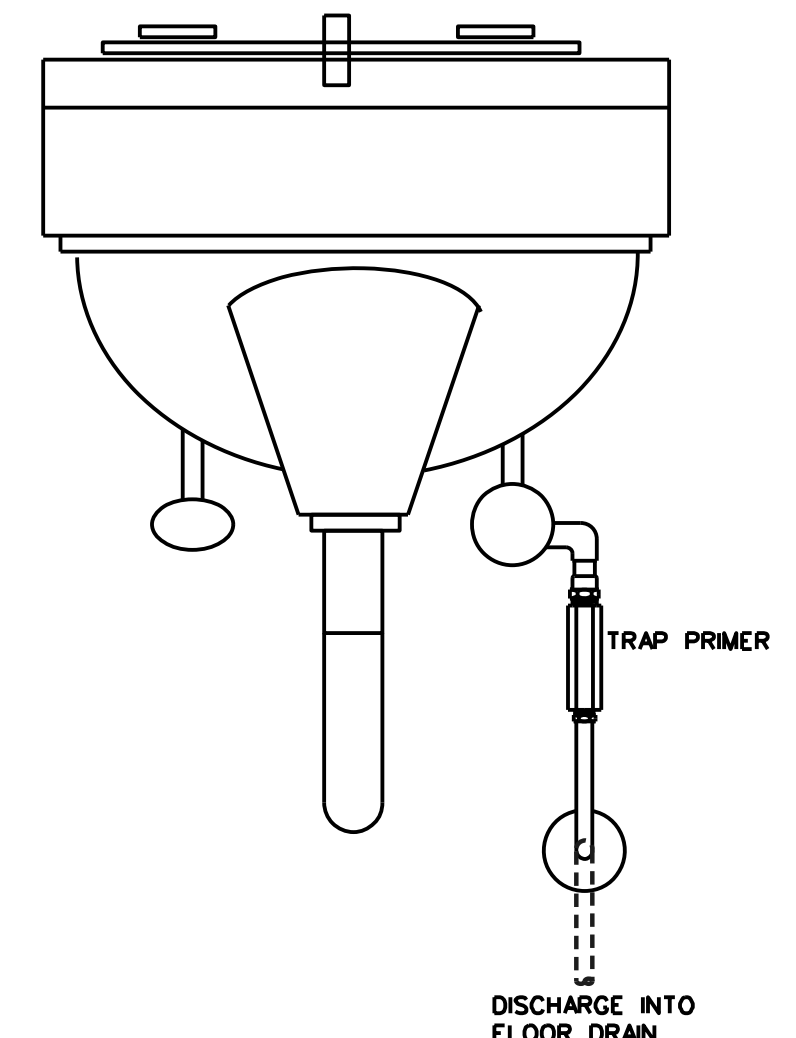
©2017 Leonard Design, Inc. THE DRAWING MAY NOT BE REPRODUCED IN WHOLE OR PART WITHOUT THE WRITTEN PERMISSION OF Leonard Design, Inc.



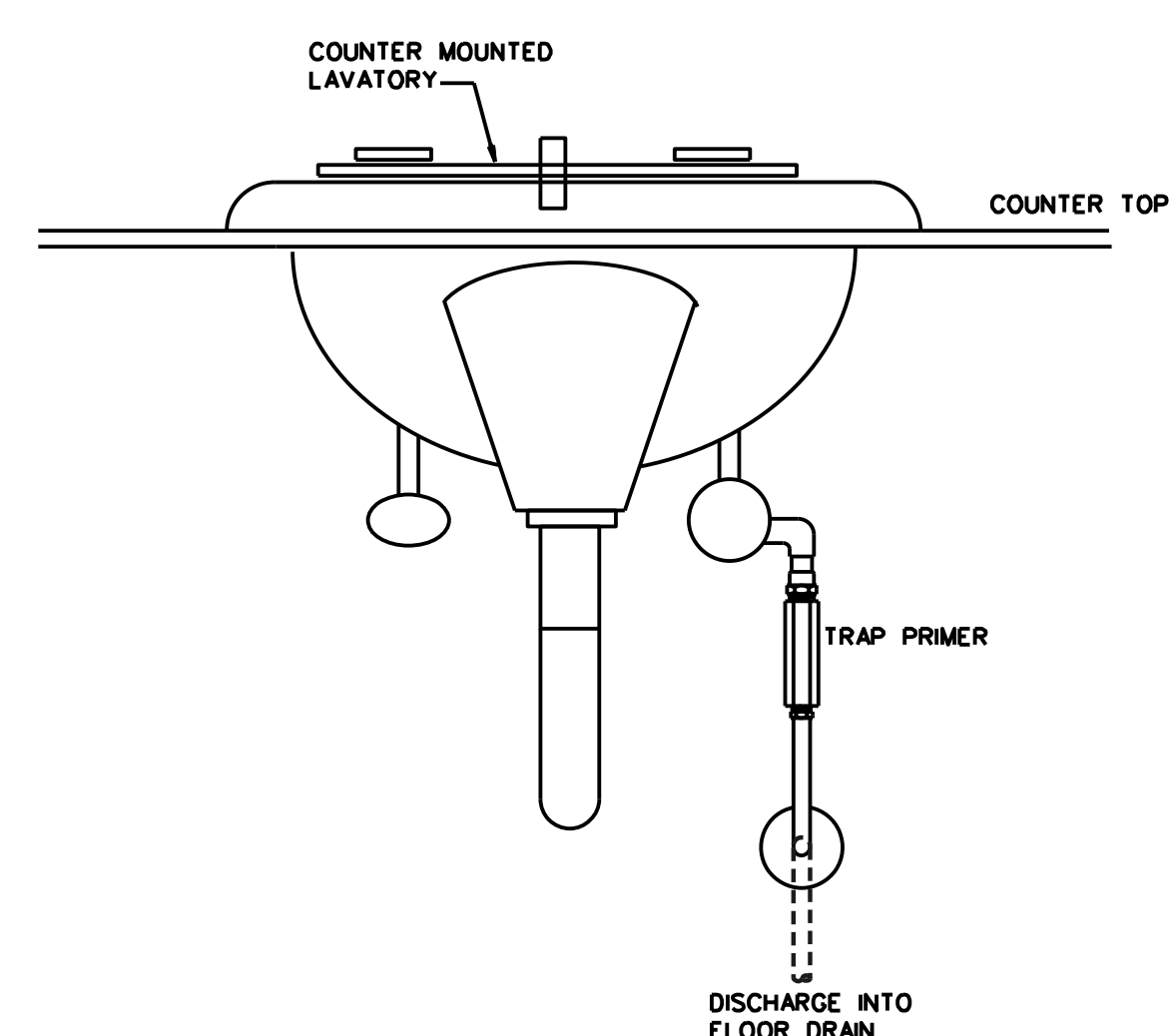
COLD WATER DIAGRAM
NOT TO SCALE

CAP 5'-0" OUTSIDE BUILDING
SEE CIVIL DRAWINGS FOR
CONTINUATION

SERVICE VALVE
IN VALVE BOX.
SEE DETAIL



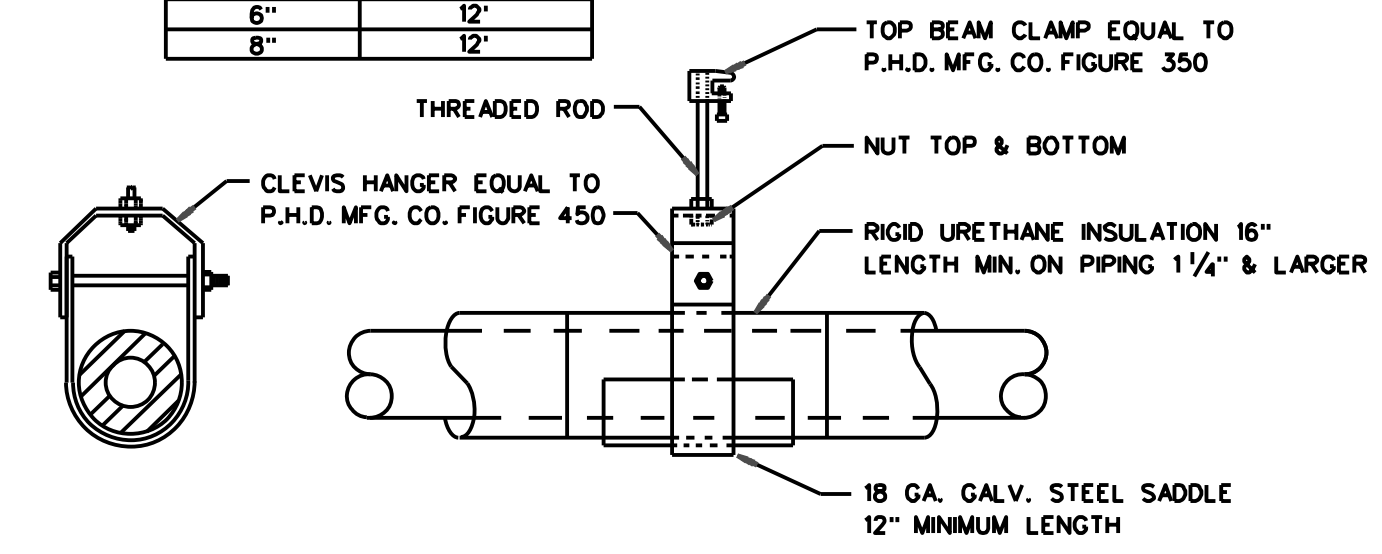
TRAP PRIMER DETAIL
NOT TO SCALE



TRAP PRIMER DETAIL
NOT TO SCALE

PIPE SUPPORT SCHEDULE

PIPE SIZE	HANGER SPACING
1/2"	6'
3/4"	6'
1"	8'
1 1/4"	8'
1 1/2"	8'
2"	10'
2 1/2"	10'
3"	12'
4"	12'
6"	12'
8"	12'



**HOT & COLD WATER
PIPE HANGER DETAIL**
NOT TO SCALE

**TOTAL DESIGN
ENGINEERING**
1014 MERIDIAN STREET, SUITE B
HUNTSVILLE, ALABAMA 35801
PHONE: 256-539-8585, FAX: 256-539-8508
JOB: TSK-17-194

PROJECT NAME
**BOOZER EYECARE
ASSOCIATES**
1ST AVE S.E.
CULLMAN, ALABAMA
35055

PROJECT NUMBER
201740

Leonard Design PC
101 First Avenue NE, Suite 140
Cullman, Alabama 35055
Telephone 256.739.8020
Facsimile 256.739.8029

DATE	DESCRIPTION
01.25.18	RELEASE FOR PRICING (OWNER) JAQ

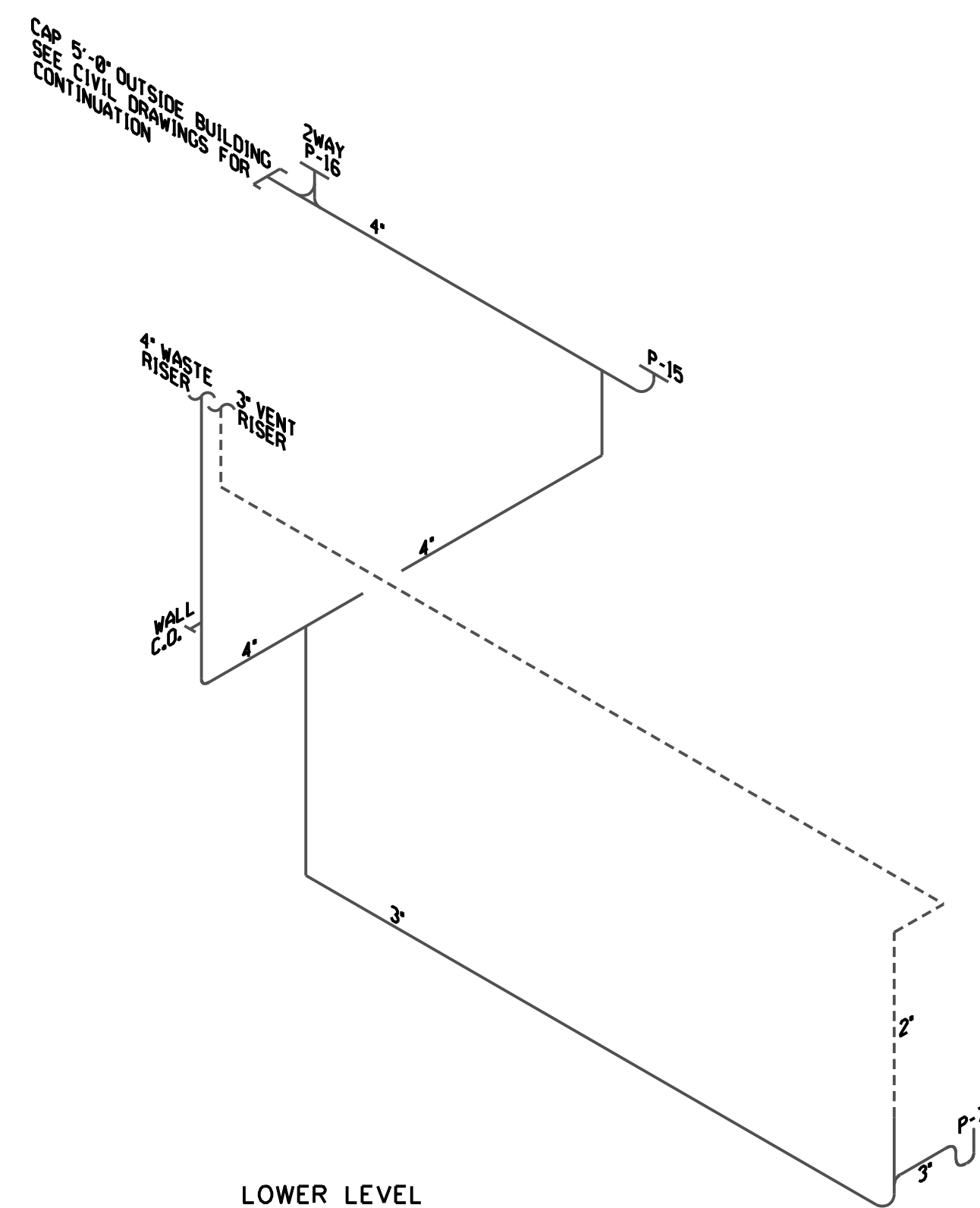
SEAL/SIGNATURE



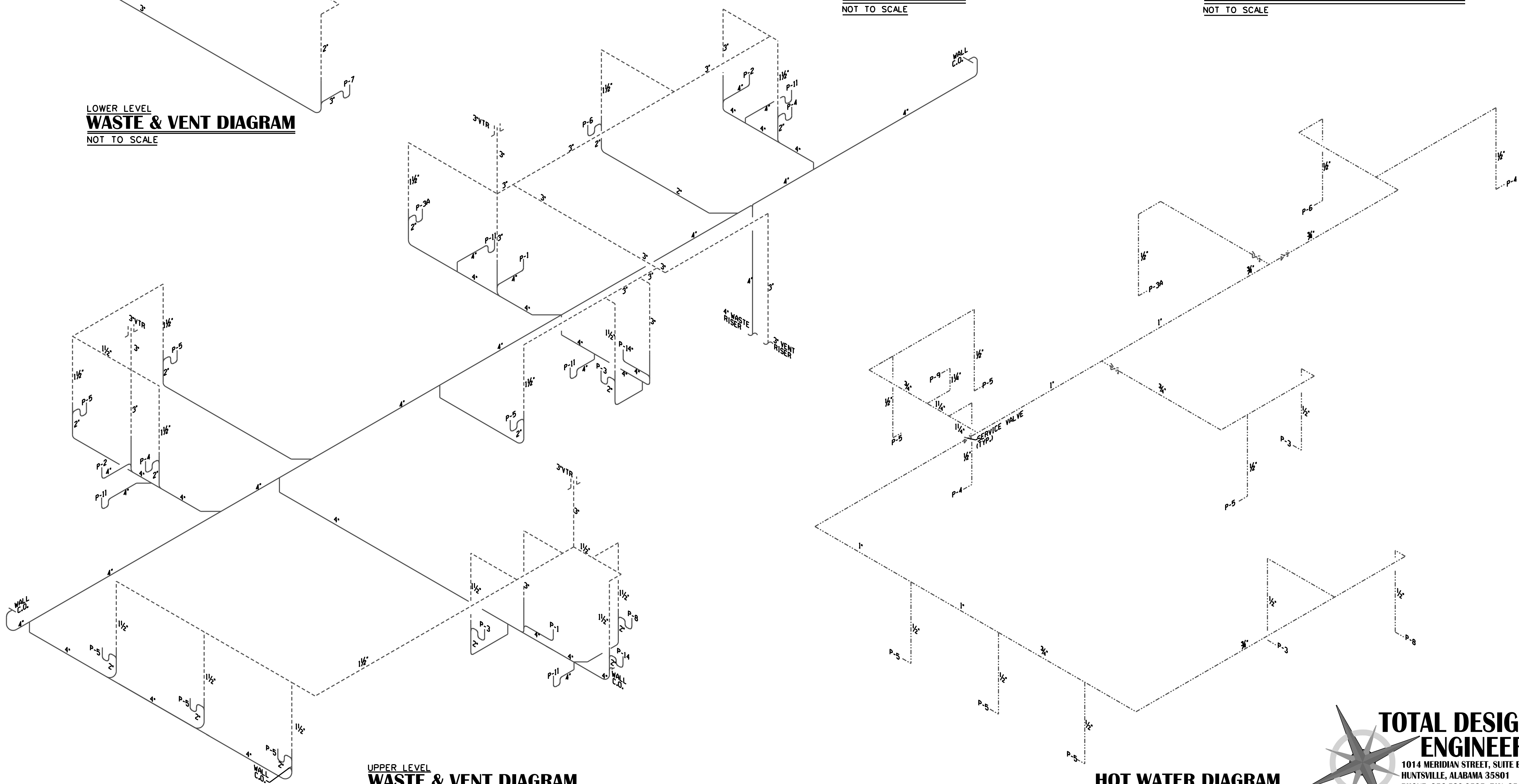
DESCRIPTION
**PLUMBING
DIAGRAMS**
SHEET

P3

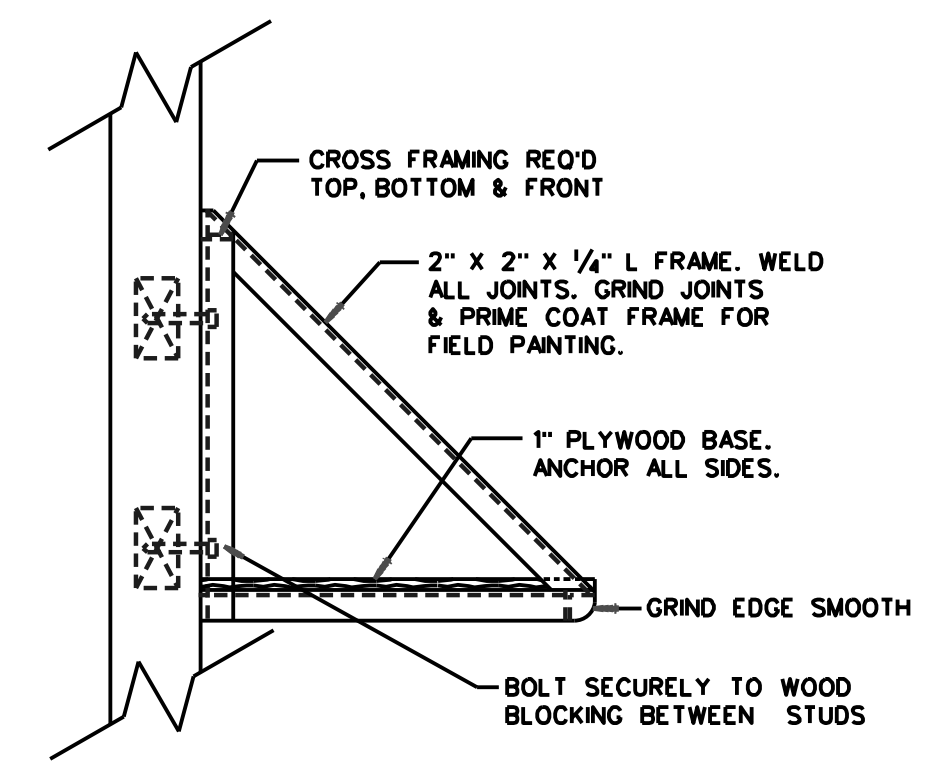
©2017 Leonard Design, Inc.
THE DRAWING MAY NOT BE REPRODUCED IN WHOLE OR IN PART
WITHOUT THE WRITTEN PERMISSION OF LEONARD DESIGN, INC.



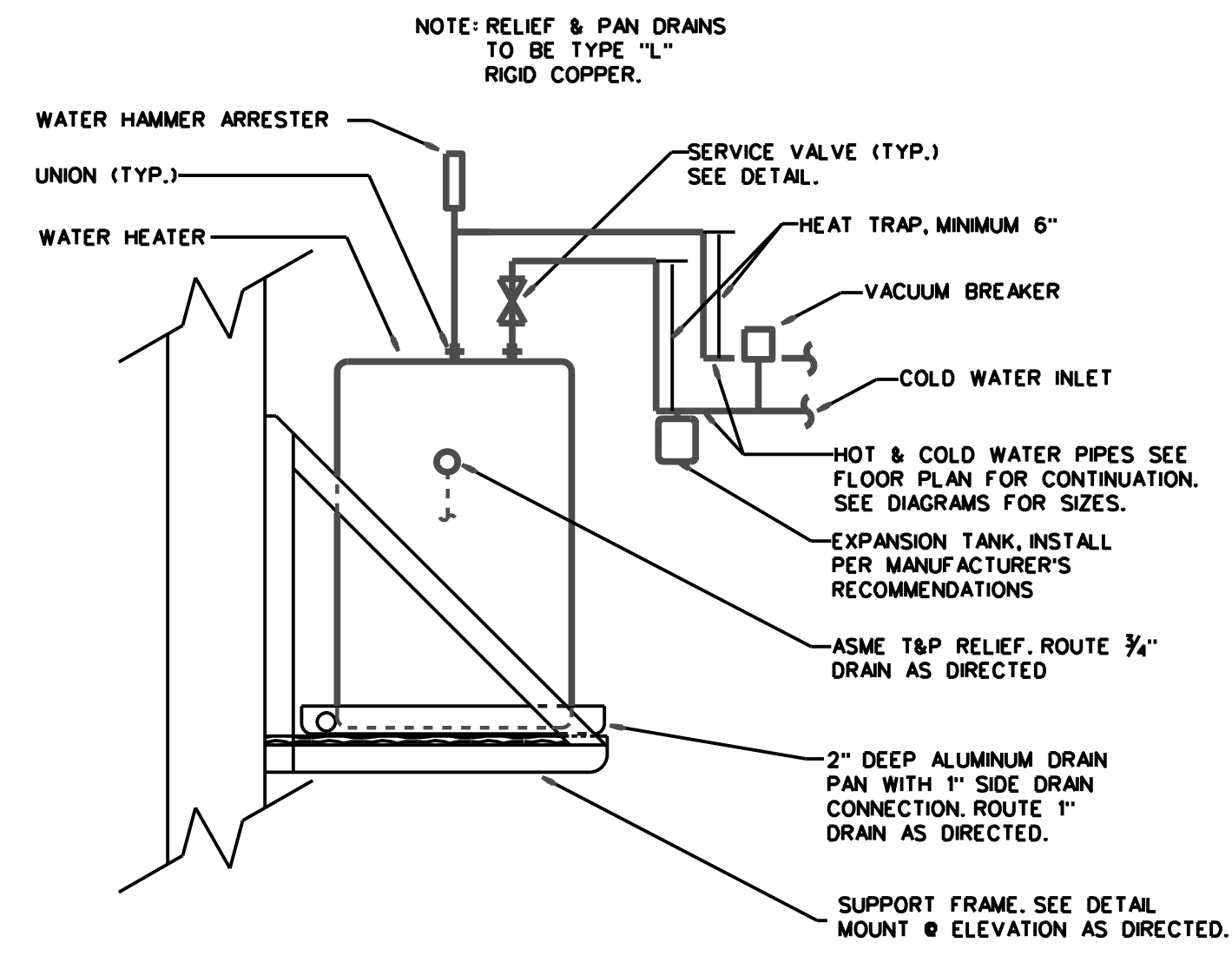
**LOWER LEVEL
WASTE & VENT DIAGRAM**
NOT TO SCALE



**UPPER LEVEL
WASTE & VENT DIAGRAM**
NOT TO SCALE



**WATER HEATER MTG.
FRAME DETAIL**
NOT TO SCALE



WATER HEATER PIPING DETAIL
NOT TO SCALE

HOT WATER DIAGRAM
NOT TO SCALE

**TOTAL DESIGN
ENGINEERING**
1014 MERIDIAN STREET, SUITE B
HUNTSVILLE, ALABAMA 35801
PHONE: 256-539-8585, FAX: 256-539-8508
JOB: TSK-17-194

PROJECT NAME
**BOOZER EYECARE
ASSOCIATES**
1ST AVE S.E.
CULLMAN, ALABAMA
35055

PROJECT NUMBER
201740

Leonard Design PC
101 First Avenue NE, Suite 140
Cullman, Alabama 35055
Telephone 256.739.8020
Facsimile 256.739.8029

DATE	DESCRIPTION
01.25.18	RELEASE FOR JAQ PRICING (OWNER)

SEAL/SIGNATURE



DESCRIPTION
**PLUMBING
DIAGRAMS**
SHEET

P4

©2017 Leonard Design, Inc.
THE DRAWING MAY NOT BE REPRODUCED IN WHOLE OR IN PART
WITHOUT THE WRITTEN PERMISSION OF LEONARD DESIGN, INC.